

# TIPS


1. How do I use the "Trim to finger size" function?
2. How do I use the "Ring rail builder"?

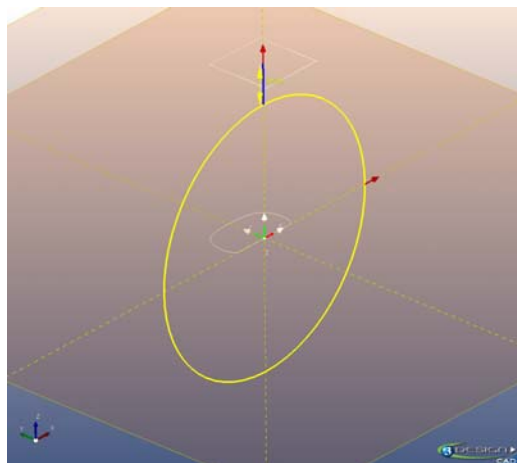
## 1. How do I use the "Trim to finger size" function?



In the sketch's OXY plan, create a section corresponding to the ring section. As below:



In the "jewellery part", choose the "Trim to finger size" function , and define your ring size, for example 60.



And validate.

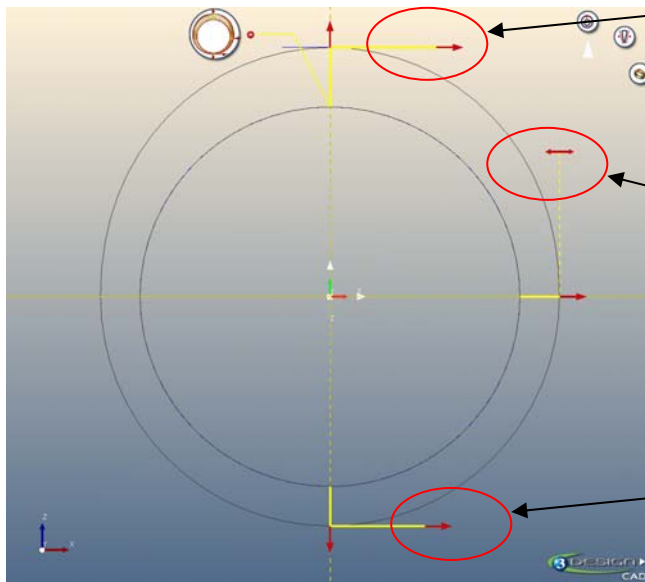
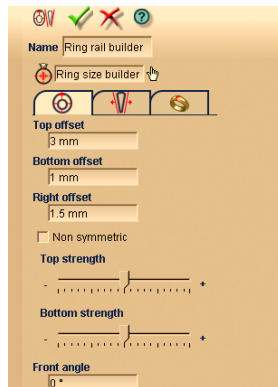


## 2. How do I use the "Ring rail builder"?



Select the Ring size created and click on the "Ring rail builder" function

In the first tab we define the different widths of the ring.  
And you get :



Allows you to manage the body shape for the higher area of the body.

Allows you to manage the body shape for the middle area of the body.

Allows you to manage the body shape for the lower area of the body.

In the second tab we define the width of the ring. There are 3 profiles.



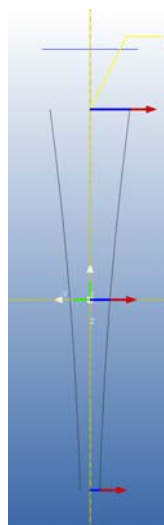
Vertical:  
it gives the total width of the ring.



Right:  
it gives the higher and the lower widths of the body.




Curve:  
it gives the higher, lower and middle width of the body. In the example we choose the right profile.



In the third tab we define a section.

It will create automatically the body of the ring.

With the hand  select the sketch (where you drew the section).





Once again validate, and you obtain the ring.

